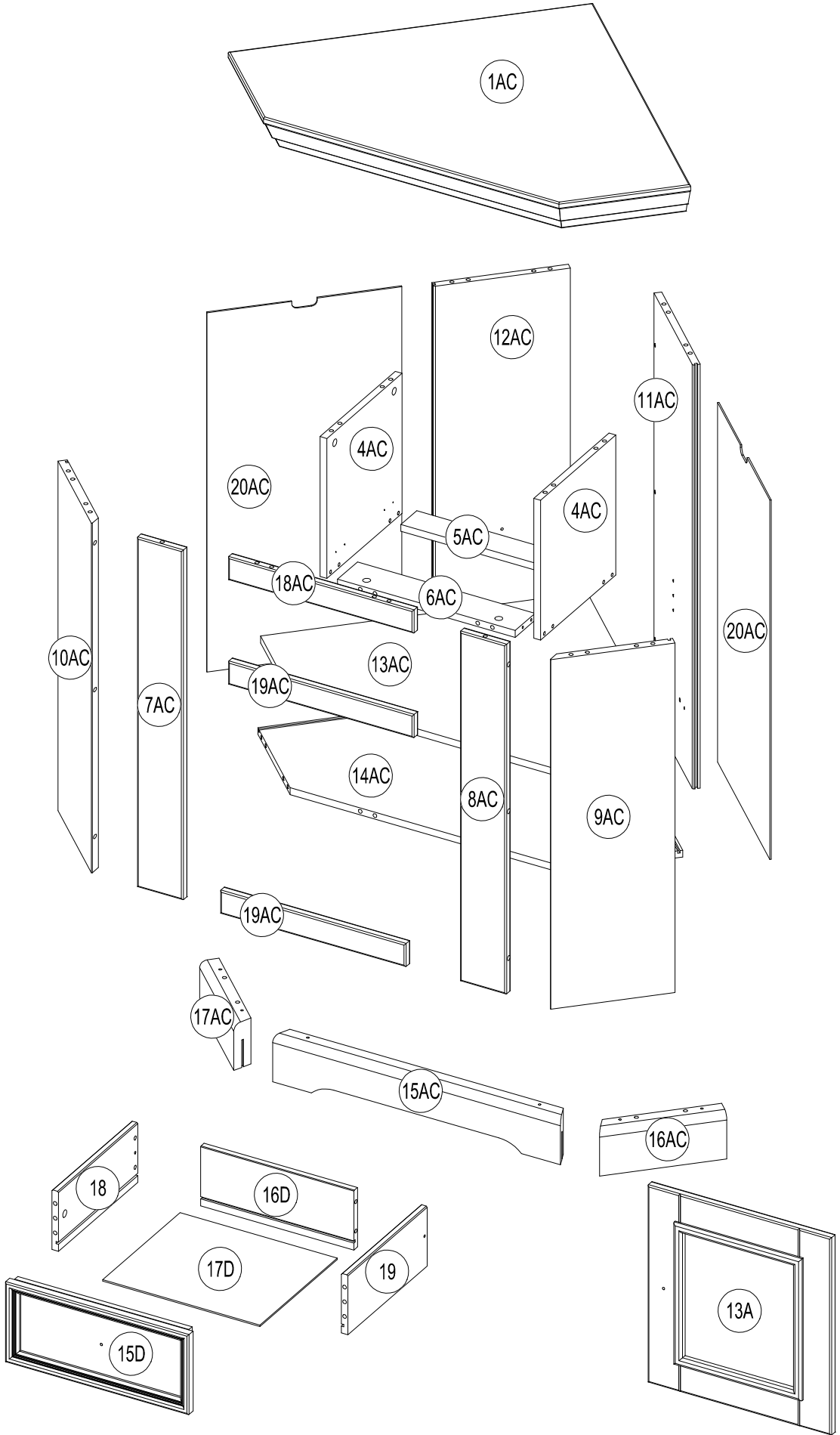
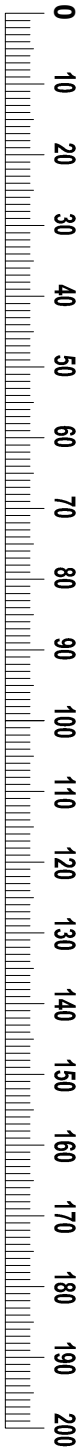
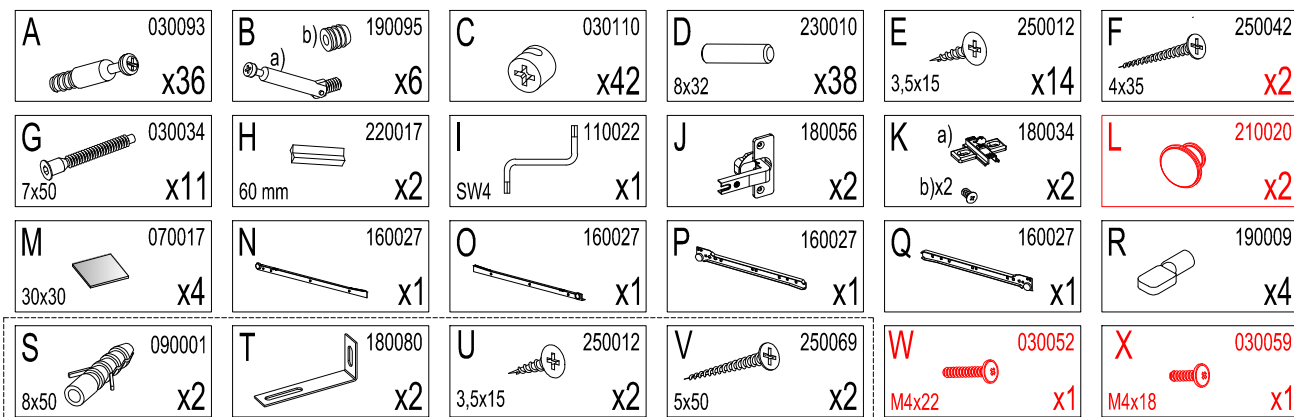


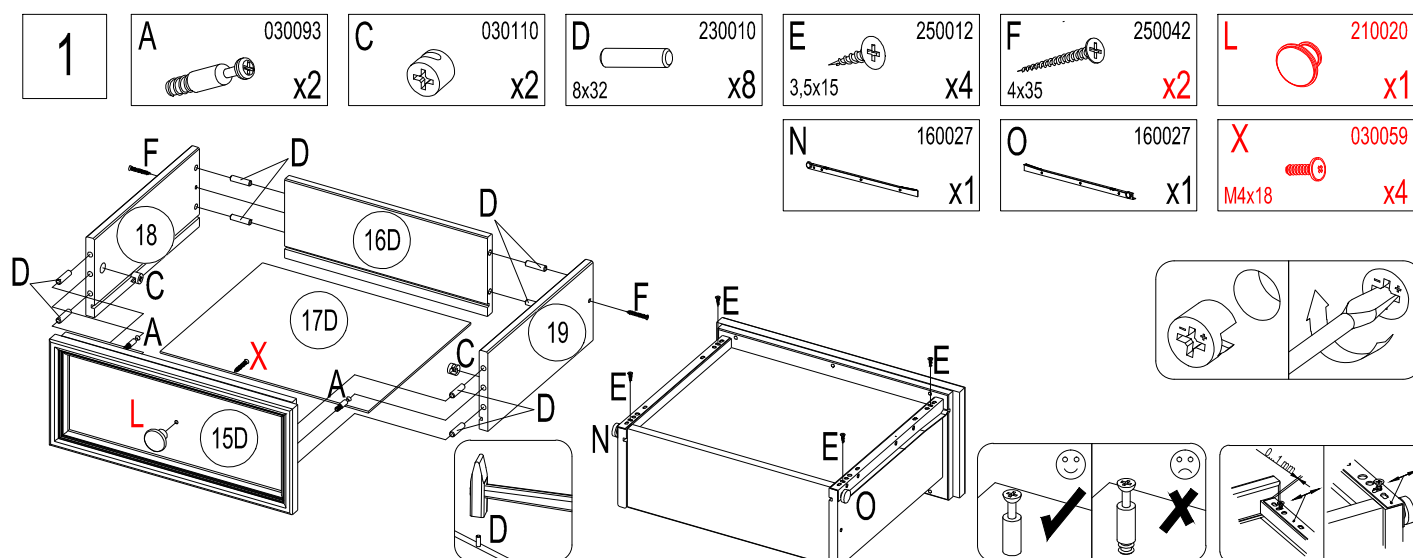
180 min

**EAC**

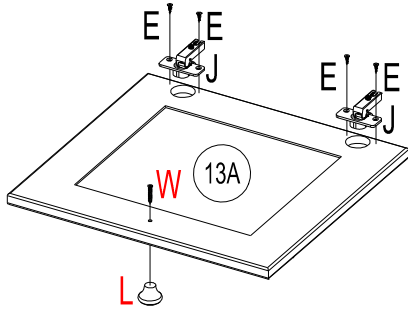




Nº	Size/MaB (mm)	Qty	✓	Nº	Size/MaB (mm)	Qty	✓
1AC	1008x686x77	1		15AC	628x100x38	1	
4AC	305x284x15	2		16AC	249x100x38	1	
5AC	387x60x15	1		17AC	249x100x38	1	
6AC	387x75x15	1		18AC	404x50x18	1	
7AC	762x100x18	1		19AC	404x50x18	2	
8AC	762x100x18	1		20AC	783x381x3	2	
9AC	762x243x18	1		18	300x130x14	1	
10AC	762x243x18	1		19	300x130x14	1	
11AC	924x282xx15	1		13A	430x400x27	1	
12AC	924x267xx15	1		15D	400x172x33	1	
13AC	902x607x15	1		16D	334x130x14	1	
14AC	926x608x15	1		17D	343x292x3	1	



2

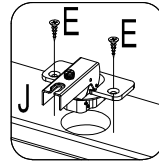


E 250012  
3,5x15 x4

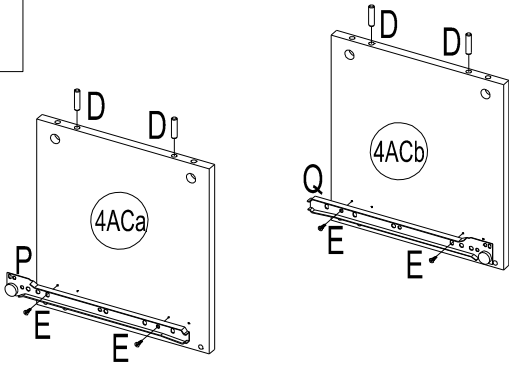
J 180056  
x2

L 210020  
x1

W 030052  
M4x22 x1



3

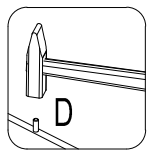
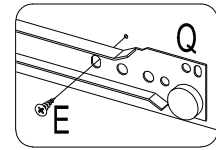
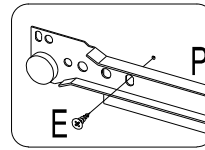
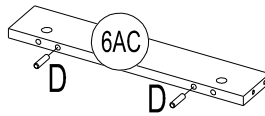


D 230010  
8x32 x6

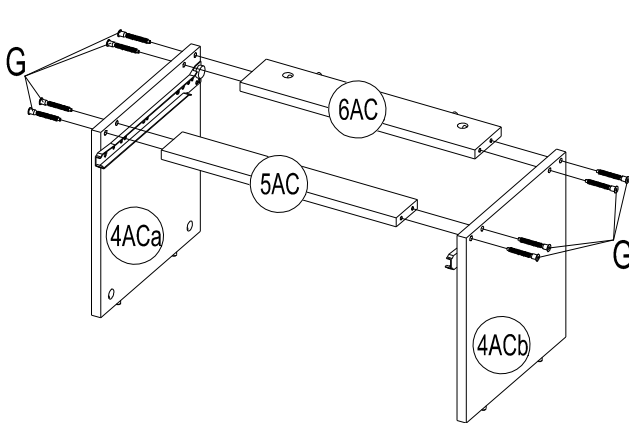
E 250012  
3,5x15 x4

P 160027  
x1

Q 160027  
x1

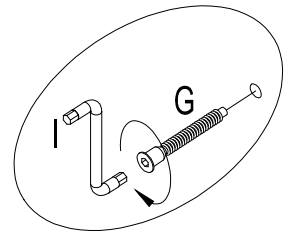


4

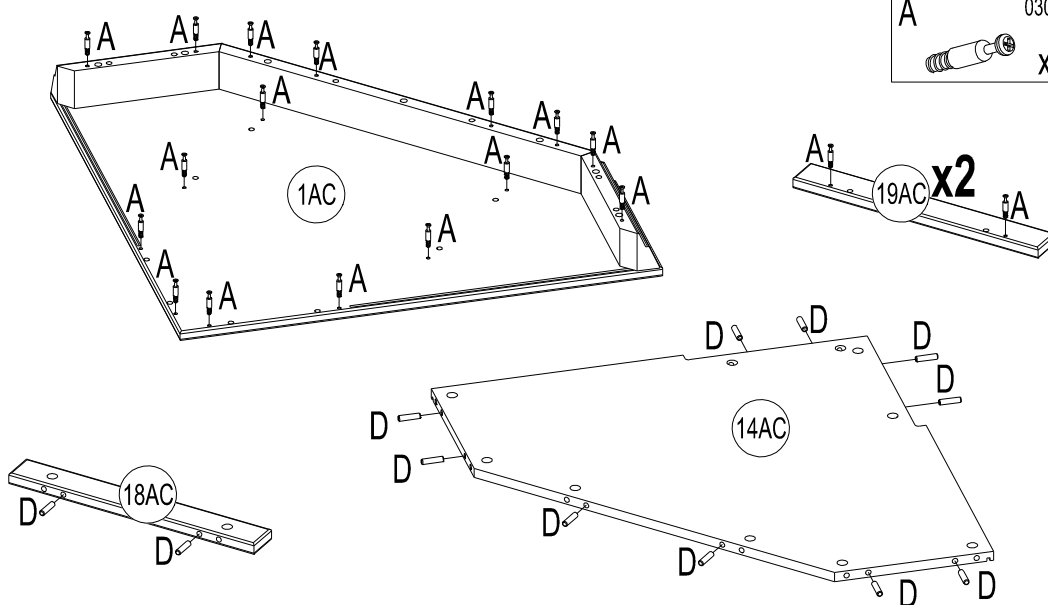


G 030034  
7x50 x8

I 110022  
SW4 x1

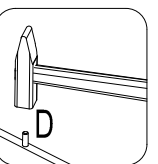
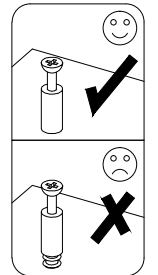
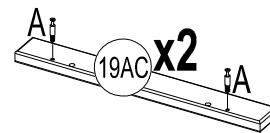


5

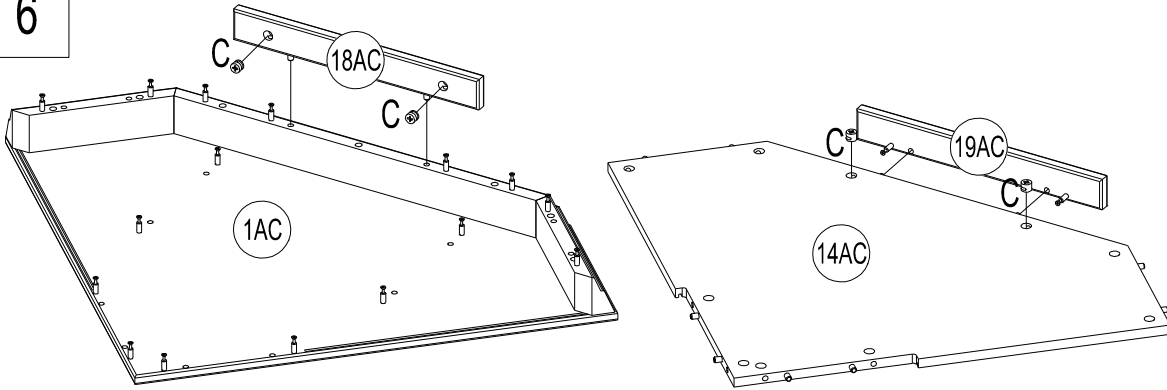


A 030093  
x20

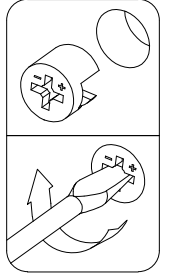
D 230010  
8x32 x12



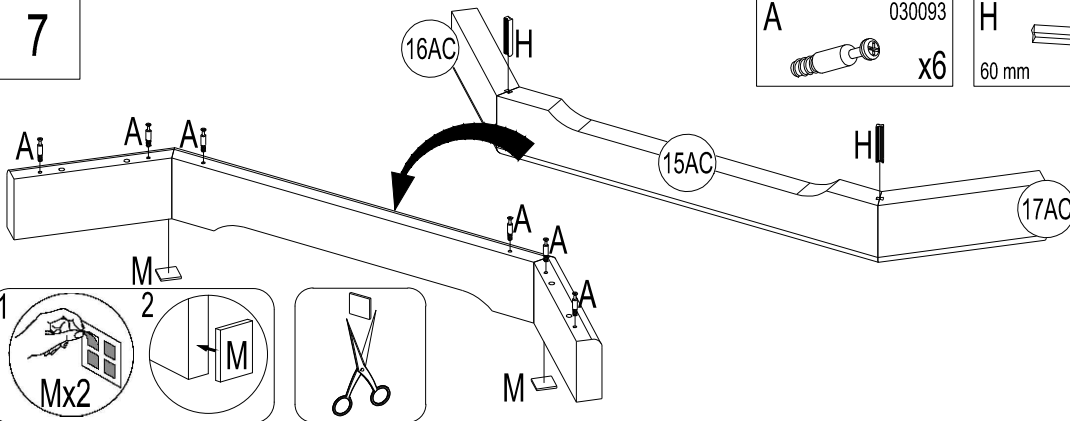
6



C 030110  
x4



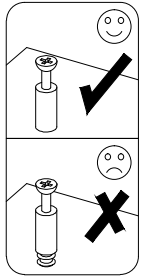
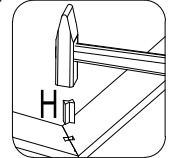
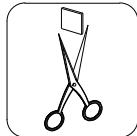
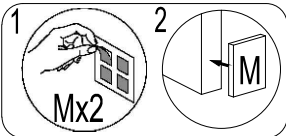
7



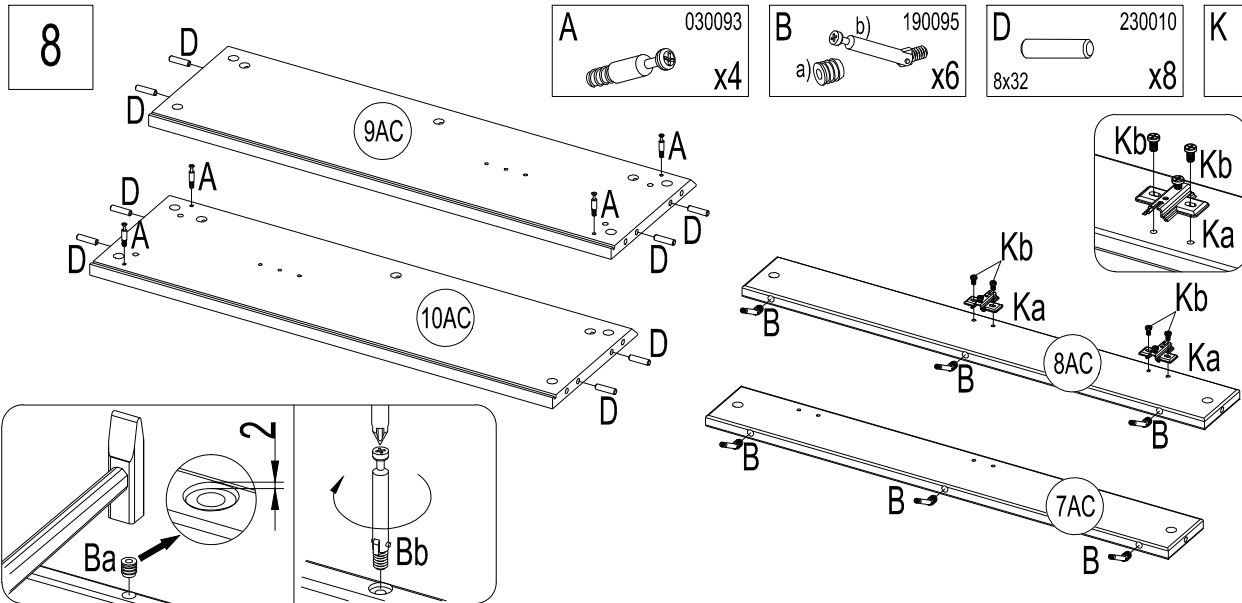
A 030093  
x6

H 220017  
60 mm x2

M 070017  
30x30 x2



8

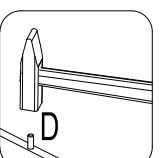
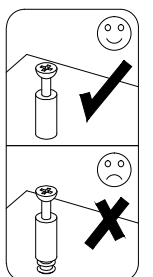
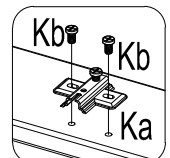
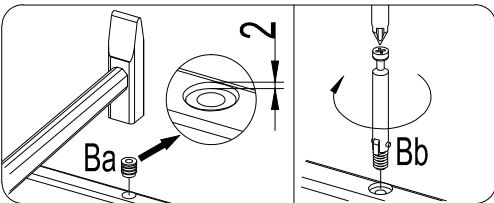


A 030093  
x4

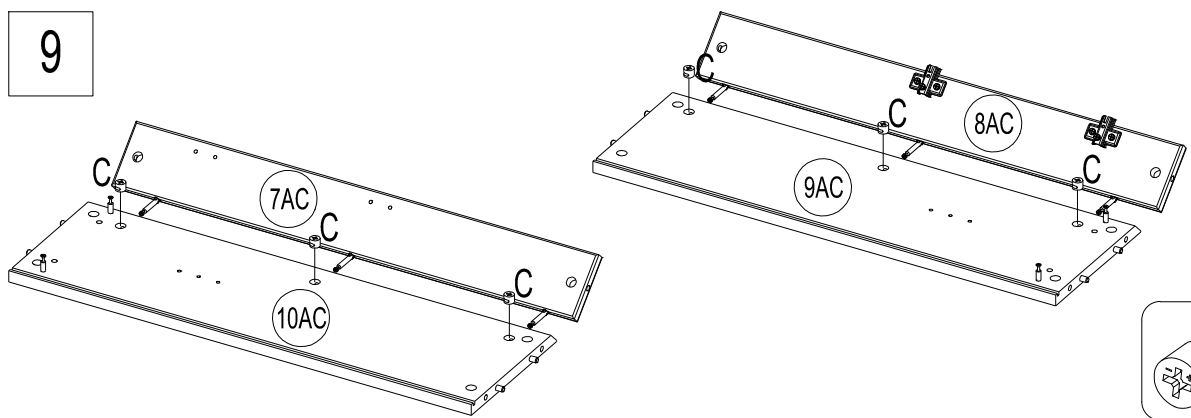
B a) 190095  
b) x6

D 230010  
8x32 x8

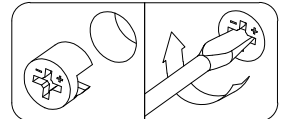
K a) 180034  
b)x2 x2



9



C 030110  
x6

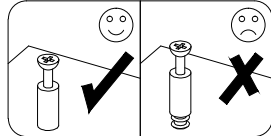
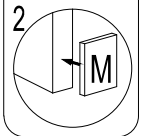
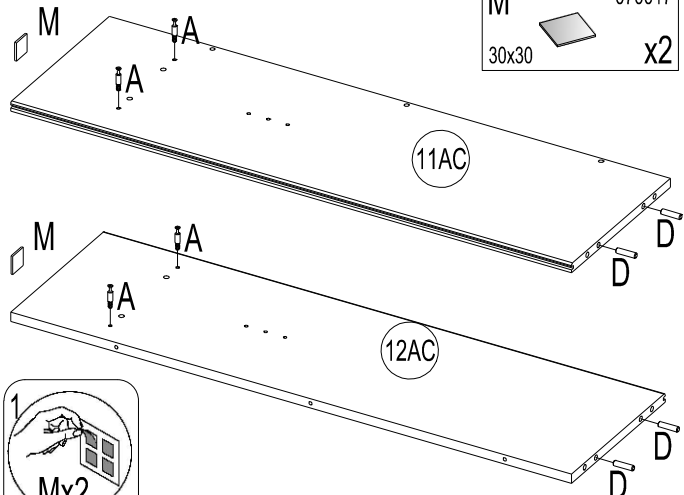


10

A 030093 x4

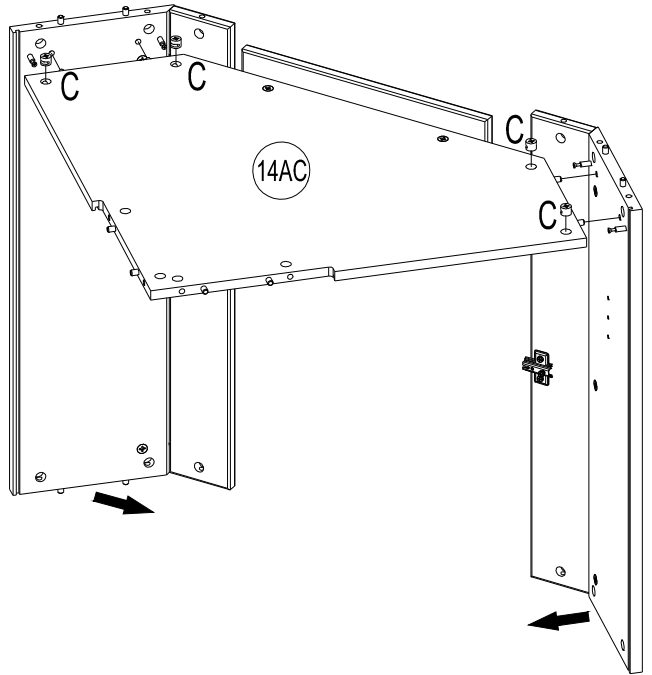
D 230010 8x32 x4

M 070017 30x30 x2



11

C 030110 x4

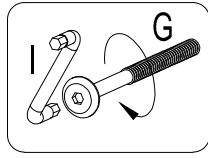
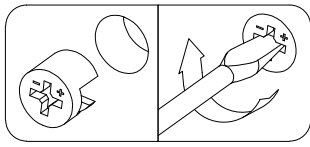
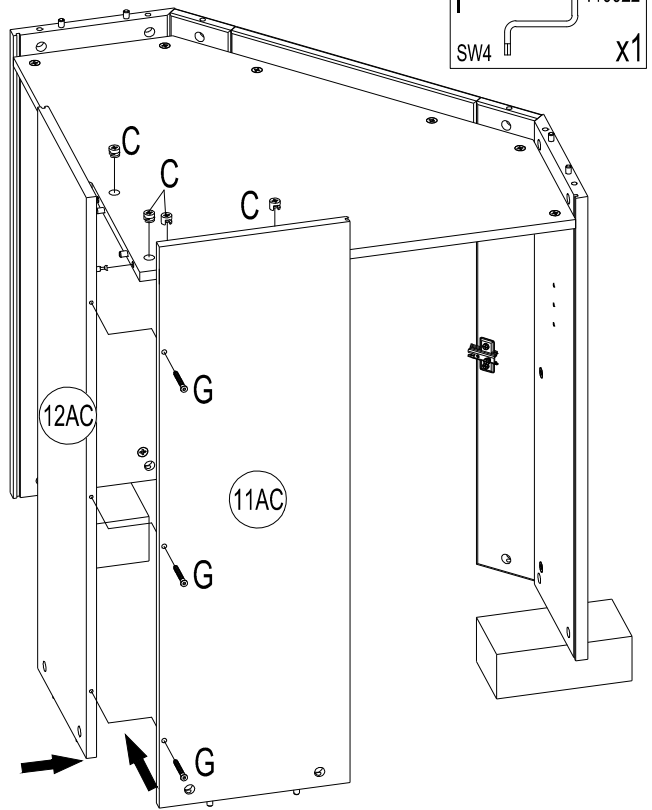


12

C 030110 x4

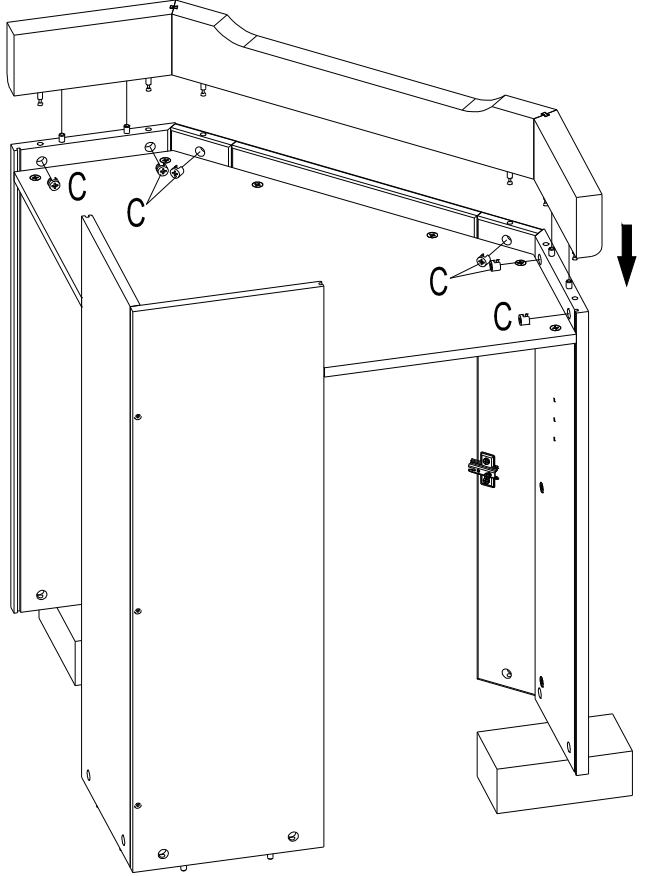
G 030034 7x50 x3

I 110022 SW4 x1



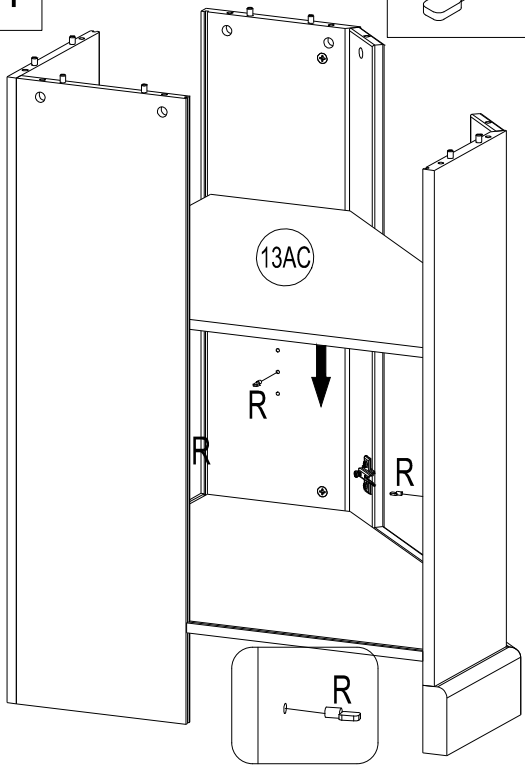
13

C 030110 x6

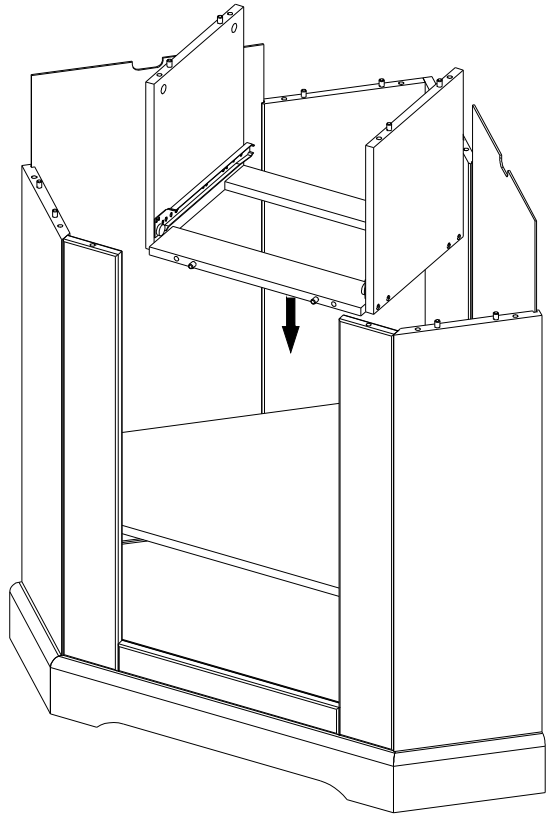


14

R 190009  
x4

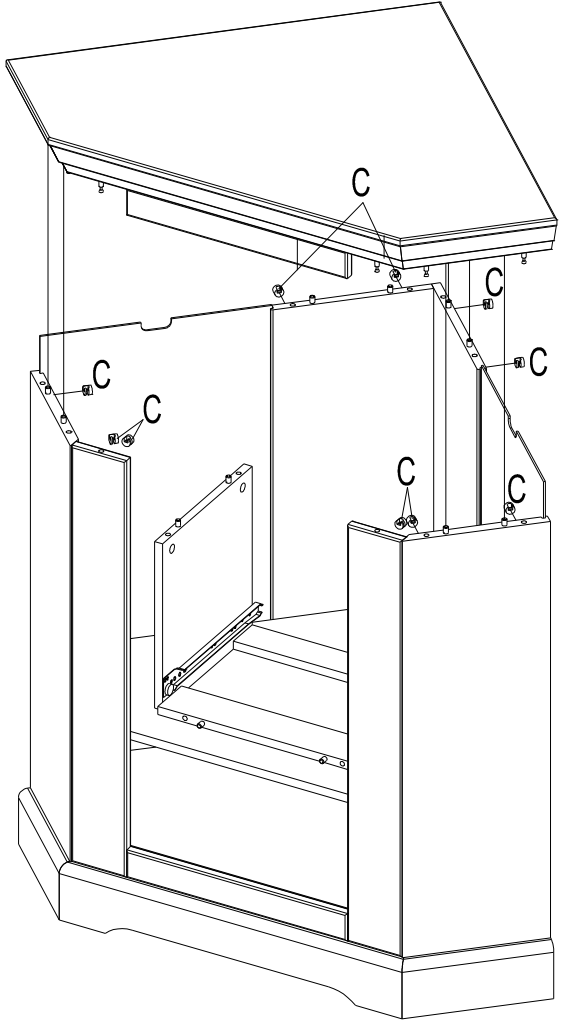


15



16

C 030110  
x10



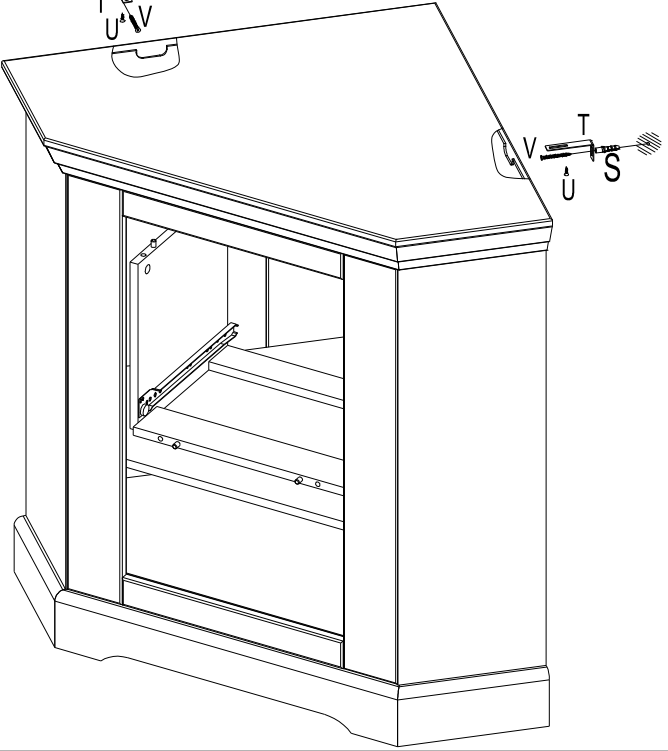
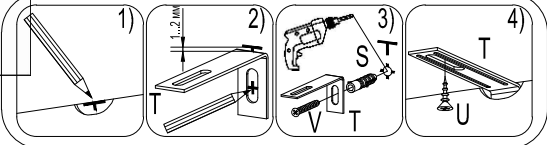
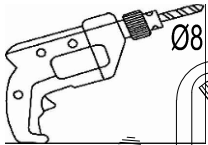
17

S 090001  
8x50 x2

T 180080  
x2

U 250012  
3,5x15 x2

V 250069  
5x50 x2

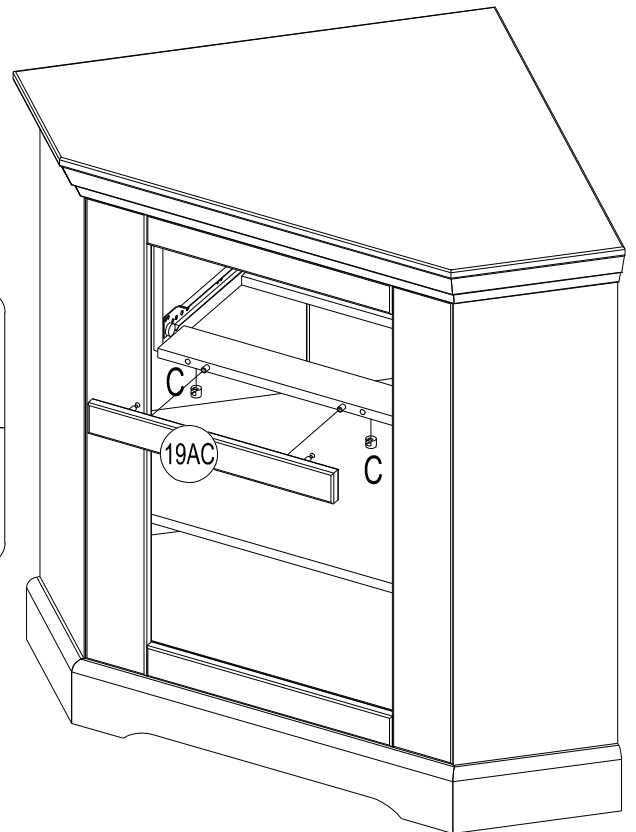
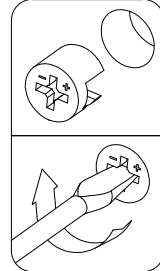
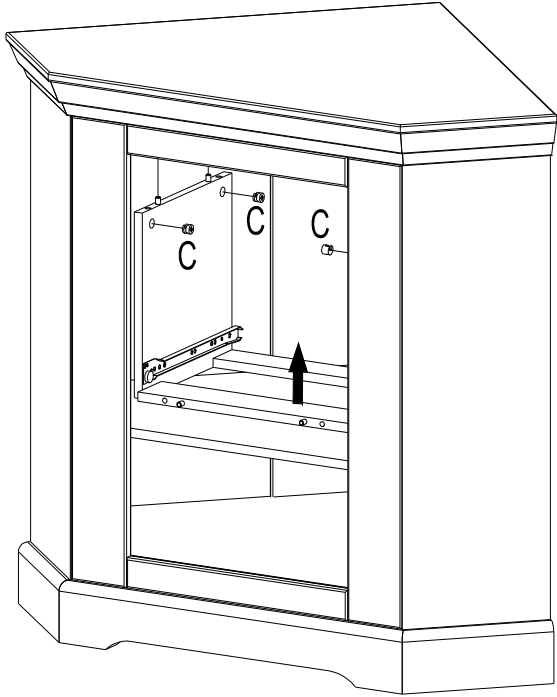


18

C 030110  
x4

19

C 030110  
x2



20

E 250012  
3,5x15 x2

